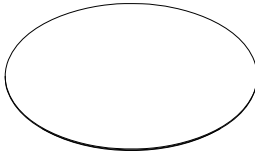
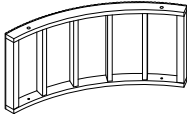
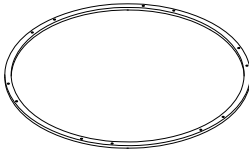
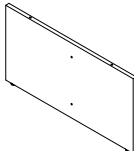
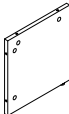


ASSEMBLY INSTRUCTION FOR ACME FURNITURE



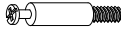


MODEL# LV03135 Coffee Table

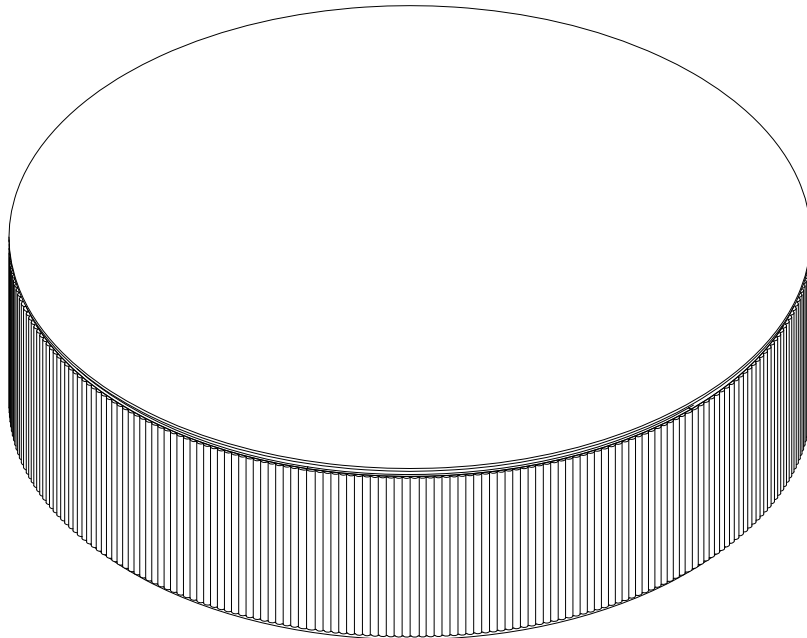
Thank you for purchasing this quality product. Be sure to check all packing materials carefully for small parts which may have come loose inside the carton during shipment. Separate, identify, and count all parts and metal hardware. Compare with parts list to be sure all parts are present. If any part(s) are missing or damaged, please contact your local furniture dealer. For efficient and speedy service, please indicate the model number and code letter of the part(s) needed.

***** Do not fully tighten screws until fully assembled *****

COMPONENT PARTS		
DECERPTION	PART NAME	Q'TY(PCS)
①	Table Top 	1pc
②	Side Frame 	6pcs
③	Base Frame 	1pc
④	Middle Support Board 	1pc
⑤	Side Support Board 	2pcs

HARDWARE REQUIRED:

(A) 	Bolt 1/4"x1-1/8" - 24pcs
(B) 	Washer $\varnothing 16 \times \varnothing 7 \times 1.0$ - 24pcs
(C) 	Cam Bolt M6x40 - 10pcs
(D) 	Cam Lock $\varnothing 14.5 \times 11$ - 10pcs
(E) 	Allen Wrench M4 - 1pc



Attention:

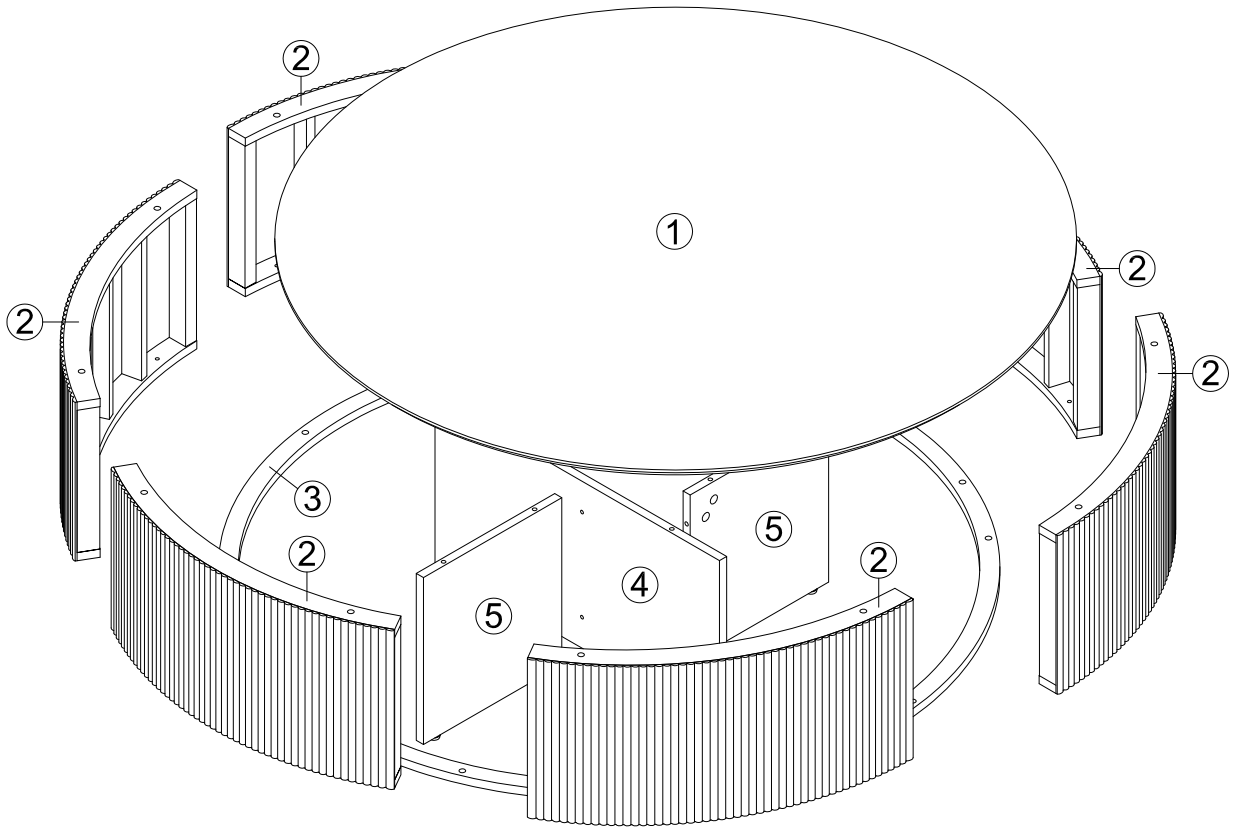
***Mattresses not included.

***Some number parts listed on the instruction sheet may not be in parts bag as they may already be assemble.
Carefully check parts and packing materials prior to ordering replacements.

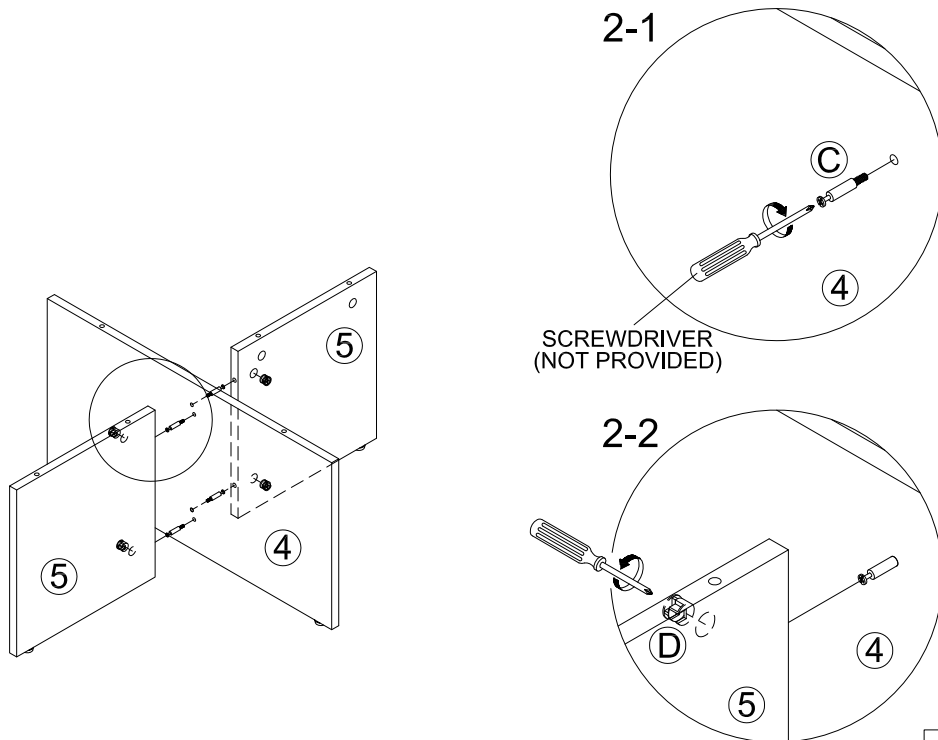
How to Assemble:

STEP 1.

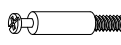

Exploded View



STEP 2.

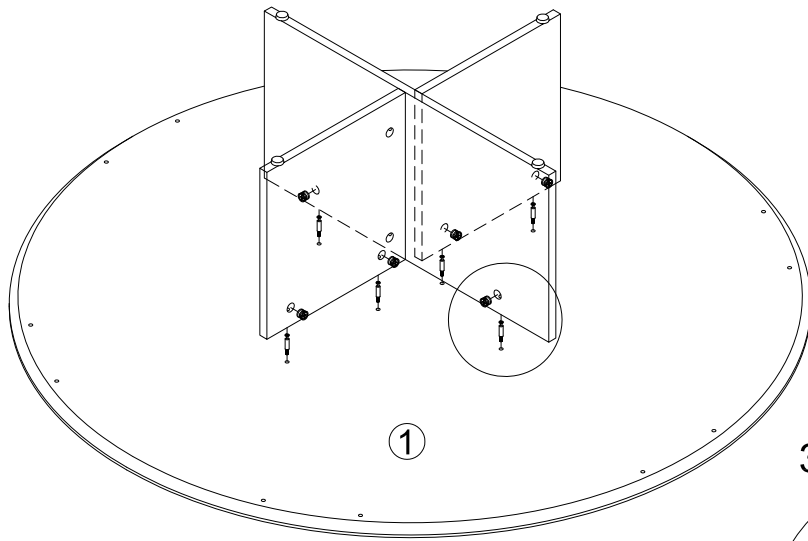


SCREWDRIVER
(NOT PROVIDED)

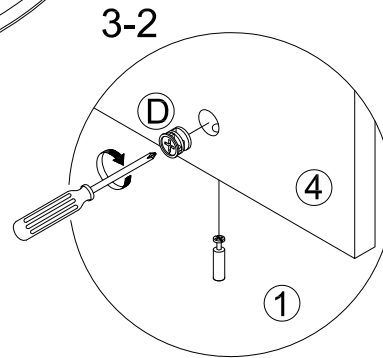
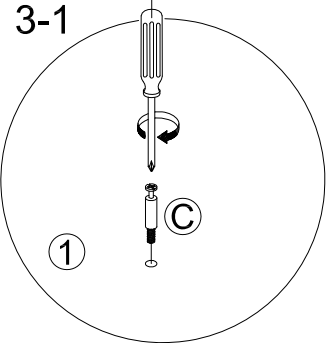
C		4pcs
D		4pcs



How to Assemble:

STEP 3.

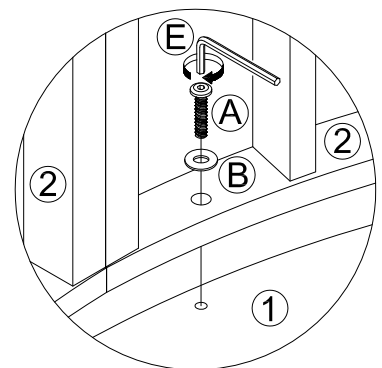
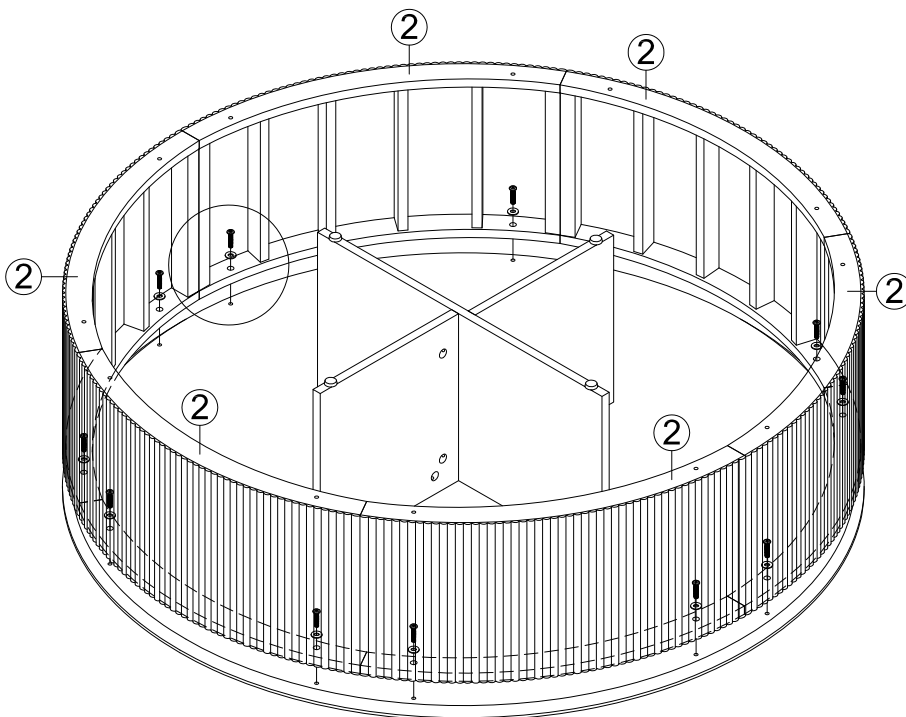




SCREWDRIVER
(NOT PROVIDED)



C		6pcs
D		6pcs

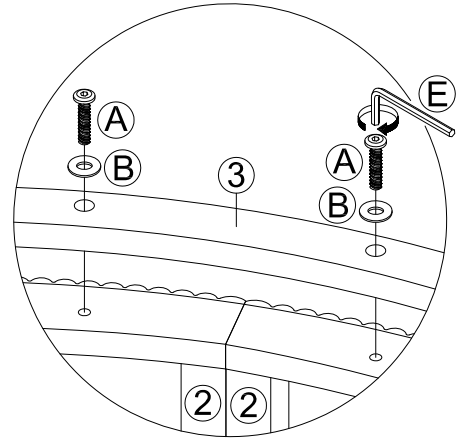
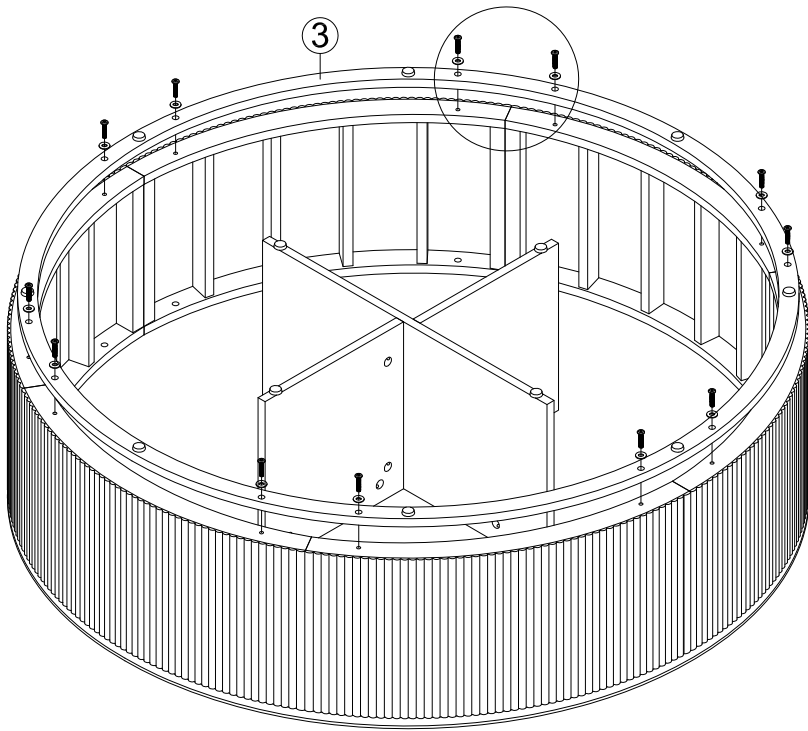
STEP 4.





A		12pcs
B		12pcs

How to Assemble:

STEP 5.



(A)		12pcs
(B)		12pcs

STEP 6.

